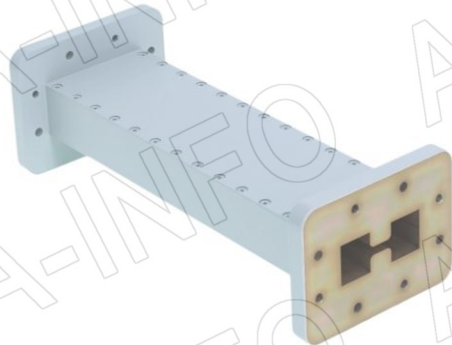


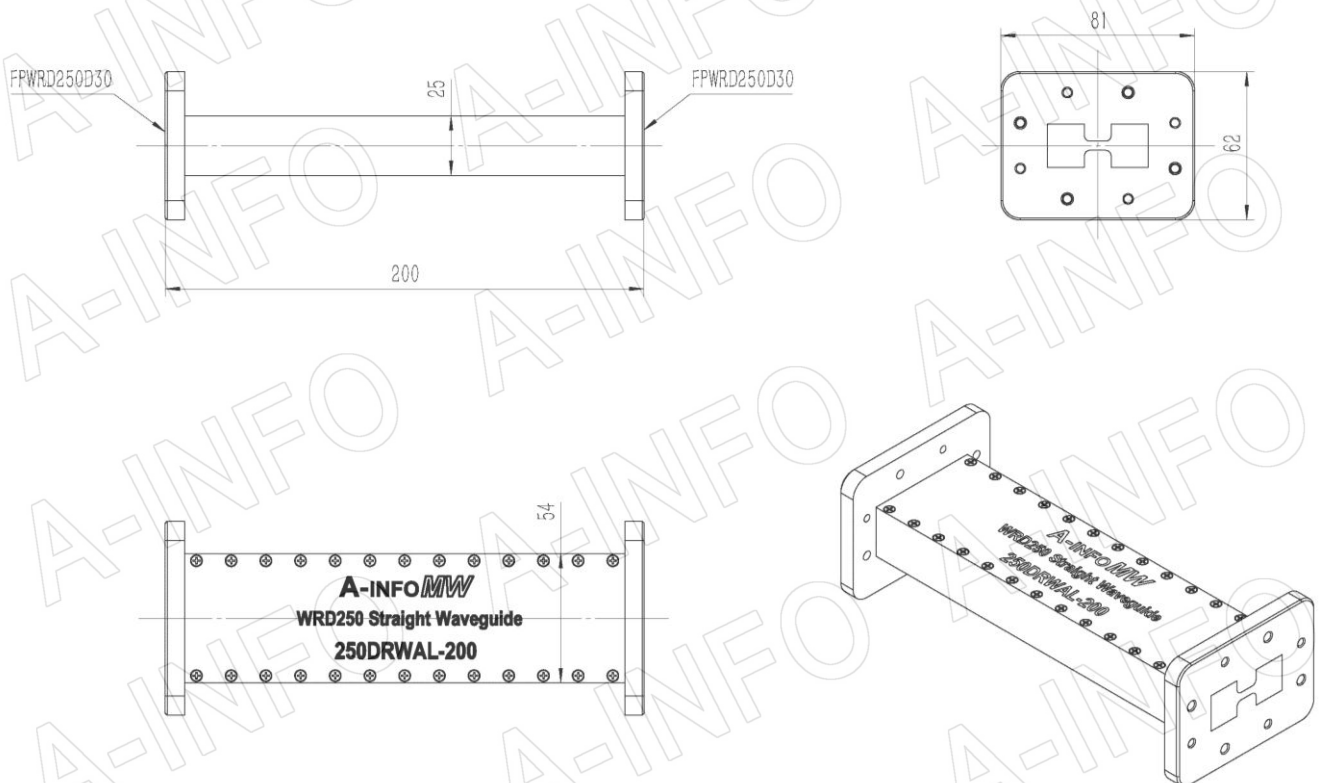
For reference only. See data sheet for the detailed specifications.

Technical Specification



EIA WRD	WRD250
Frequency Range(GHz)	2.60 – 7.80
Length(mm)	200
Insertion Loss(dB)	0.1 Max.
VSWR	1.15:1 Max.
Flange	FPWRD250D30
Material	Al
Size(mm)	200 x 81 x 62
Net Weight(Kg)	0.57 Around

Outline Drawing (Size: mm)



AINFO Inc.

China(Beijing): Tel: (+86) 10-6266-7326,
China(Chengdu): Tel: (+86) 28-8519-2786,
USA: Tel: (+1) 949-639-9688,

Page 1 of 3

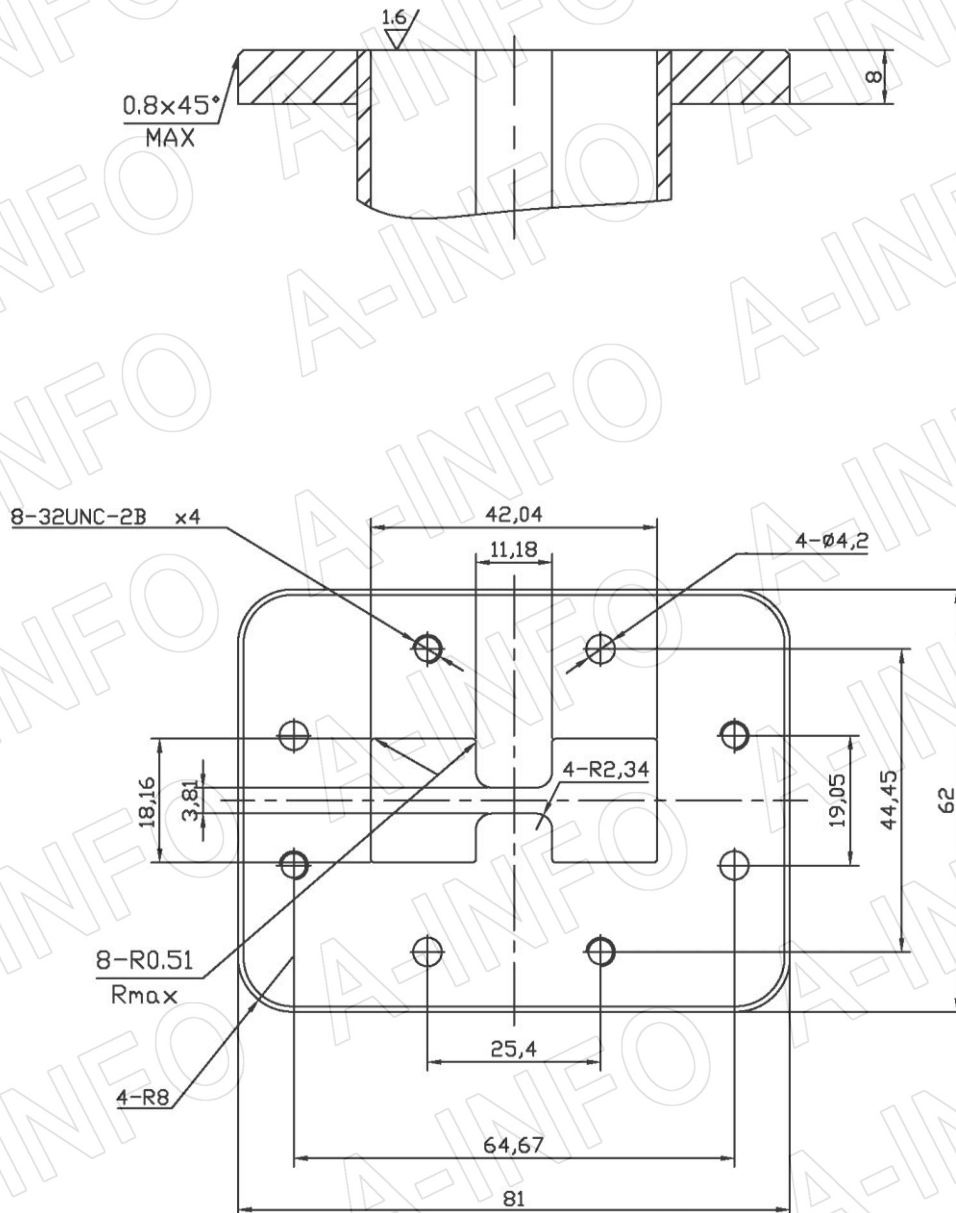
(+86) 10-6266-7327 Fax: (+86) 10-6266-7379
(+86) 28-8519-3044 Fax: (+86) 28-8519-3068
(+1) 949-639-9608 Fax: (+1) 949-639-9670

Website: www.ainfoinc.com
Email: sales@ainfoinc.com

Flange Drawing (Size: mm)

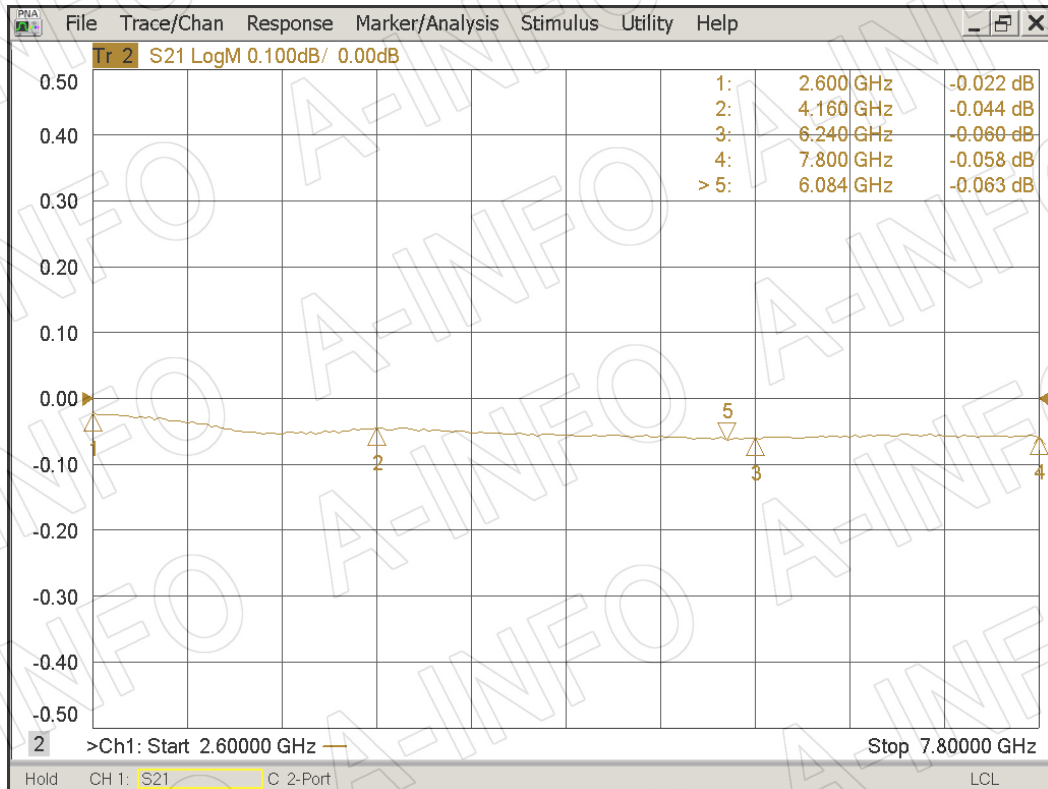
FPWRD250D30

(With four through mounting holes
and four screws holes)



Test Results

I.L.



VSWR

